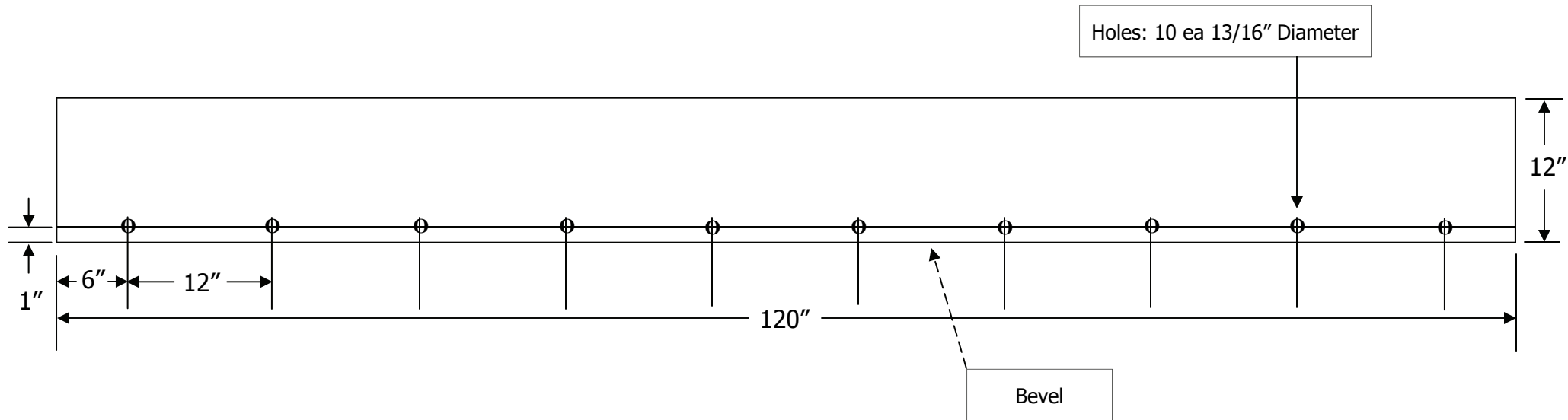




# Approach Plate - Model 129A



Dimensions: 12" W x 120" L ▪ Safety Tread Plate ▪ Flat Plate w/ Bevel

Scale: 1" = 1'