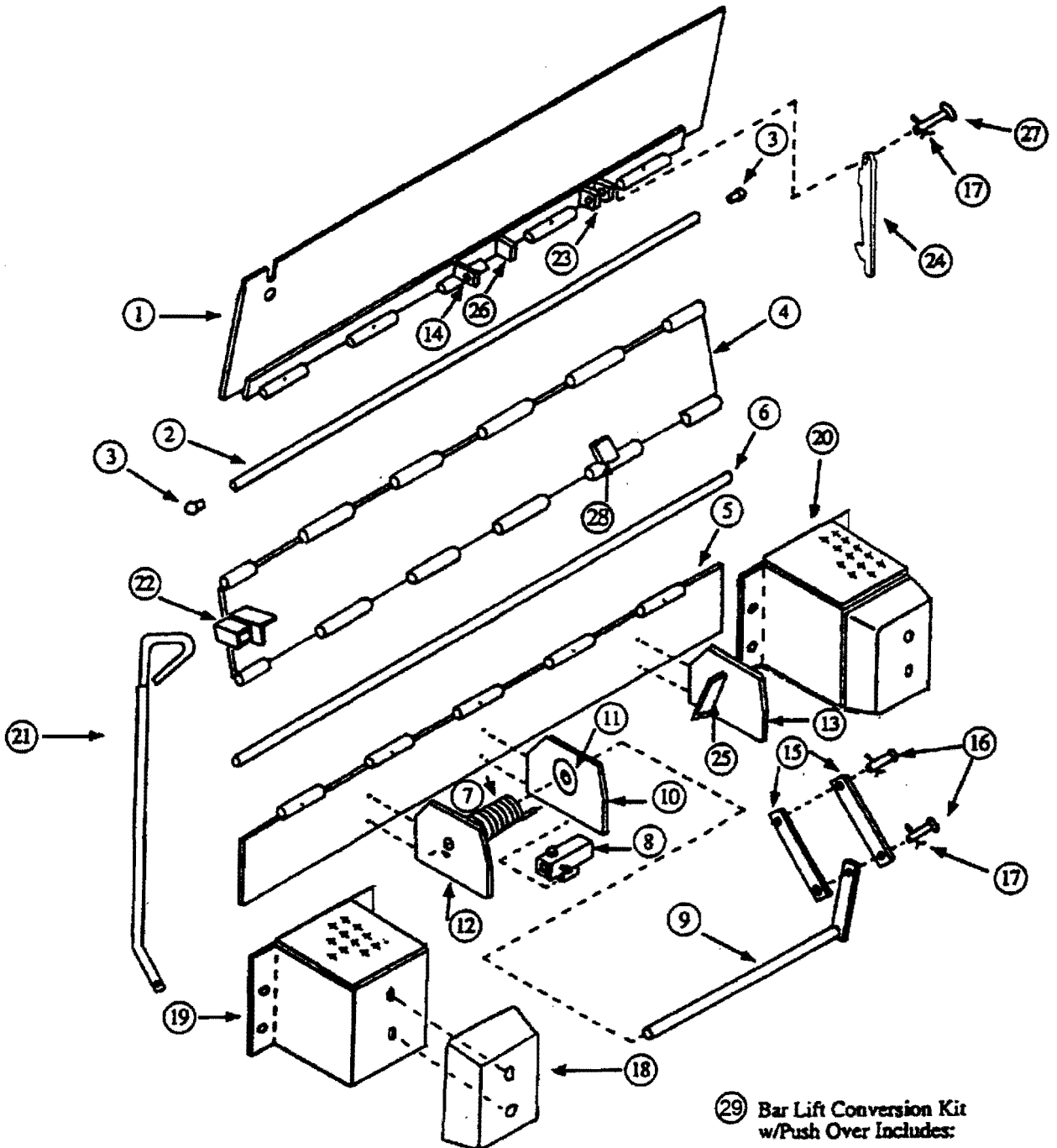


BL Edge-Of-Dock Exploded View



(15) Linkage arms connect to (14) tab

(29) Bar Lift Conversion Kit
w/Push Over Includes:

(17) (21) (22) (23) (24) (25) (26) (27)

'BA' Series Edge-of-Dock Leveler Parts List

Illus#	Part #	Description
1	154	Lip Plate Ass'y - BA6620
1	175	Lip Plate Ass'y - BA6620-L17
1	179	Lip Plate Ass'y - BA6625
1	182	Lip Plate Ass'y - BA7220
1	297	Lip Plate Ass'y - BA7220-L17
1	724	Lip Plate Ass'y - BA7225
1	1761	Lip Plate Ass'y - BA7820
1	1764	Lip Plate Ass'y - BA8420
2	115	Lip Hinge Pin - 66" Units
2	189	Lip Hinge Pin - 72" Units
2	1462	Lip Hinge Pin - 78" Units
2	481	Lip Hinge Pin - 84" Units
3	188	Rivet (2 ea required for 3ach pin)
4	153	Center Plate Ass'y - BA6620 & BA6620-L17
4	180	Center Plate Ass'y - BA6625
4	183	Center Plate Ass'y - BA7220 & BA7220-L17
4	737	Center Plate Ass'y - BA7225
4	1762	Center Plate Ass'y - BA7820
4	1765	Center Plate Ass'y - BA8420
5	151	Base Plate Ass'y - 66" Units
5	184	Base Plate Ass'y - 72" Units
5	1763	Base Plate Ass'y - 78" Units
5	1766	Base Plate Ass'y - 84" Units
6	116	Base Hinge Pin - BA6620 & BA6625
6	189	Base Hinge Pin - BA7220 & BA7225
6	1463	Base Hinge Pin - BA7820 & BA7825
6	481	Base Hinge Pin - BA8420 & BA8425
7, 8	111A	Torsion Spring Winding Ass'y
9	149	Torsion Arm & Linkage Ass'y

Illus#	Part #	Description
10	156	Gusset w/ Bearing
11	128	Bearing, Torsion Arm
12	157	Gusset w/ Retainer
13	107	Gusset
14	122	Lip Tab
15	123	Lip Linkage Arms (2 ea required)
16	193	Linkage Pins (2 ea required)
17	235	Linkage Pin Keys (3 ea required)
18	R2	Molded Cord Rubber Bumper (2 hole) 4" x 10" x 12"
18	R	Molded Cord Rubber Bumper (4 hole) 4" x 12" x 13"
18	M2	Molded Cord Rubber Bumper (18" Tall) 4" x 10" x 18"
19	138	Bump Block Steel w/ Cover (4 hole)
19	9270	Bump Block Steel w/ Cover (2 hole)
20	139	Bump Block Ass'y (4 hole - Optional)
20	1771	Bump Block Ass'y (2 hole - Optional)
20	208	Bump Block Ass'y (18" - Optional)
21	1726	Bar Lift Handle Ass'y
22	1725	Bar Lift Holder Ass'y
23	445	Lip Linkage Tabs (2 ea required)
24	446R2	Lip Kickout Bar
25	1405	Lip Release Tab
26	503	Lip Stop Tab
27	251	Lip Kickout Pin
28	1017	Kick Out Bar Guide
29	453-1727	Bar Lift Conversion Kit w/ Push-over