

ABC DOCKS

Aaron-Bradley™ 'BG' Series Barrier Gate



Features

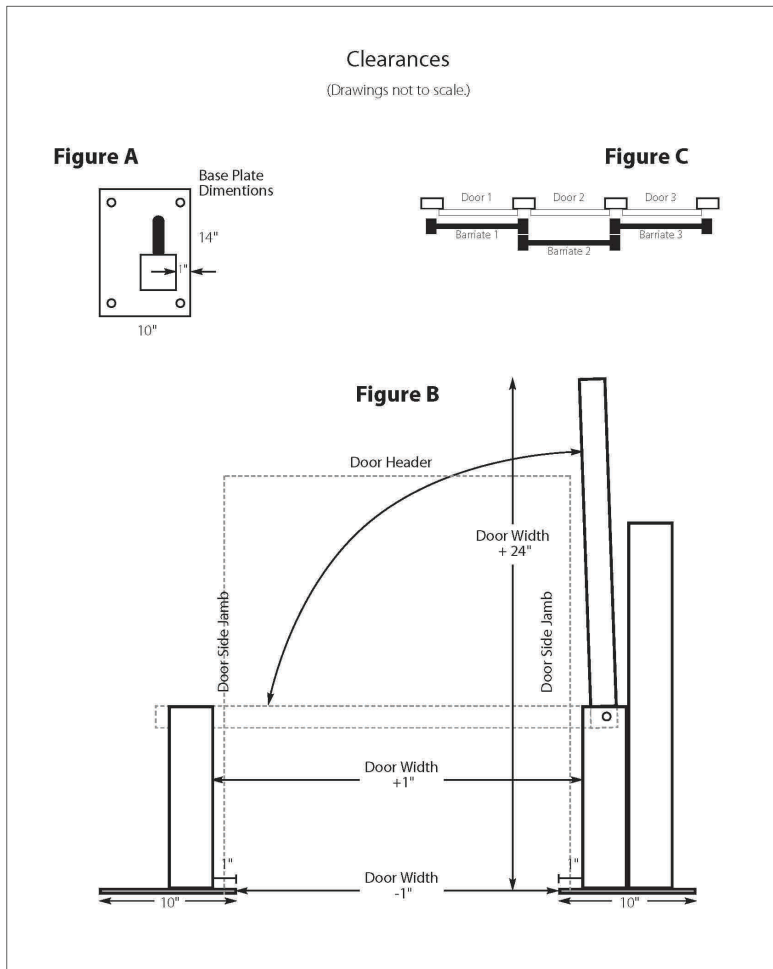
- Counter Balanced Arm with Hinged Mounting Post
- Receiving Post (*counter balance weight accessible from top of post*)
- Floor Post with Laminated Rubber Bumpers
- Finish: Bright, Safety Yellow with Black / Yellow Safety Striping
- Available Models / Arm Length:
 - BG-75 / 7' 6"
 - BG-80 / 8' 0"
 - BG-85 / 8' 6"
 - BG-90 / 9' 0"
 - BG-100 / 10' 0"



**Specializing in Dock Equipment
& Scissor Tables**

ABC DOCKS

Aaron-Bradley™ 'BG' Series Barrier Gate



Lifting Cable



Slide Lock

- Economical
- Structural steel construction, designed and built to stop a 10,000 lb. load moving at 4 mph
- Quick and easy installation

ABC Docks, LLC
P.O. Box 1028
Franklin, TN 37065-1028
Ph) 800-394-5944 / 615-807-1141
Fax) 615-807-1752
Web: www.aaronbradley.com
Email: sales@abc docks.com

Distributed By:



Specializing in Dock Equipment
& Scissor Tables