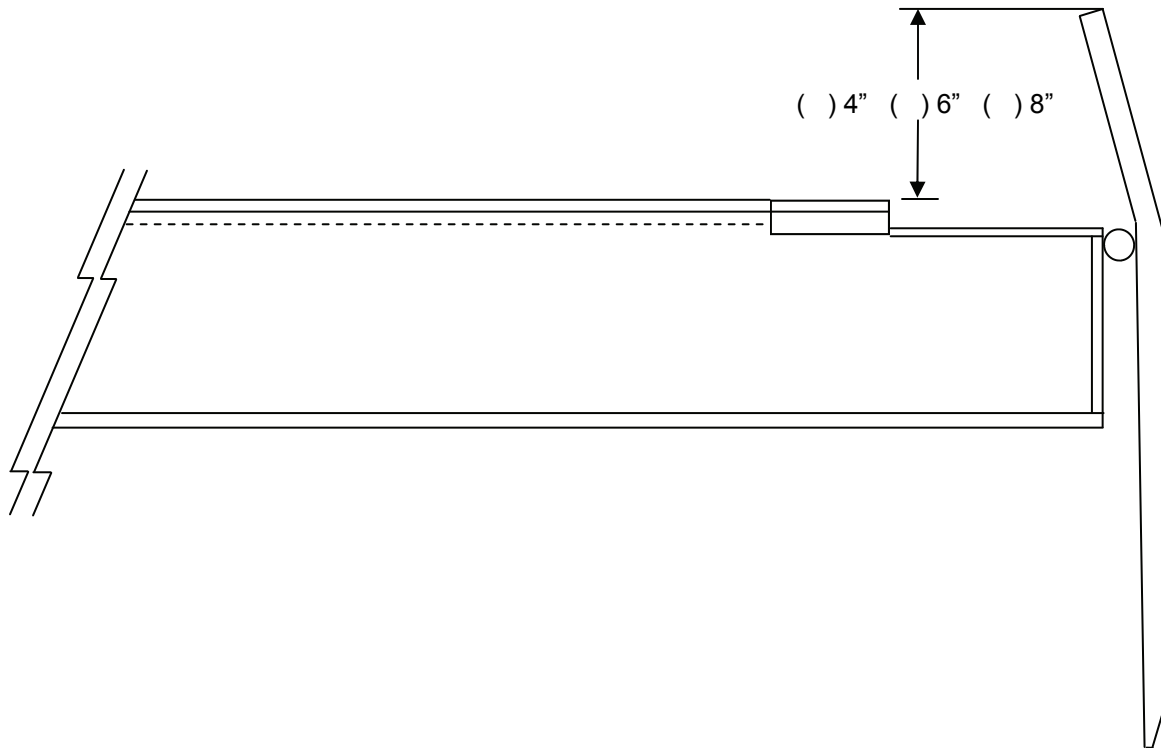


NOT TO SCALE



# Barrier Lip

P.O. Box 1028 • Franklin, TN 37065-1028  
 Toll Free: 800-394-5944  
 Fax: 615-371-1754  
 Web: [www.aaronbradley.com](http://www.aaronbradley.com)

ABC Docks, LLC

Scale: NTS

Title: Barrier Lip

Drawing No.: BL1006-Rev1

Notes:

Drawn by: WSR

Date: 061001

Sheet 1 of 1