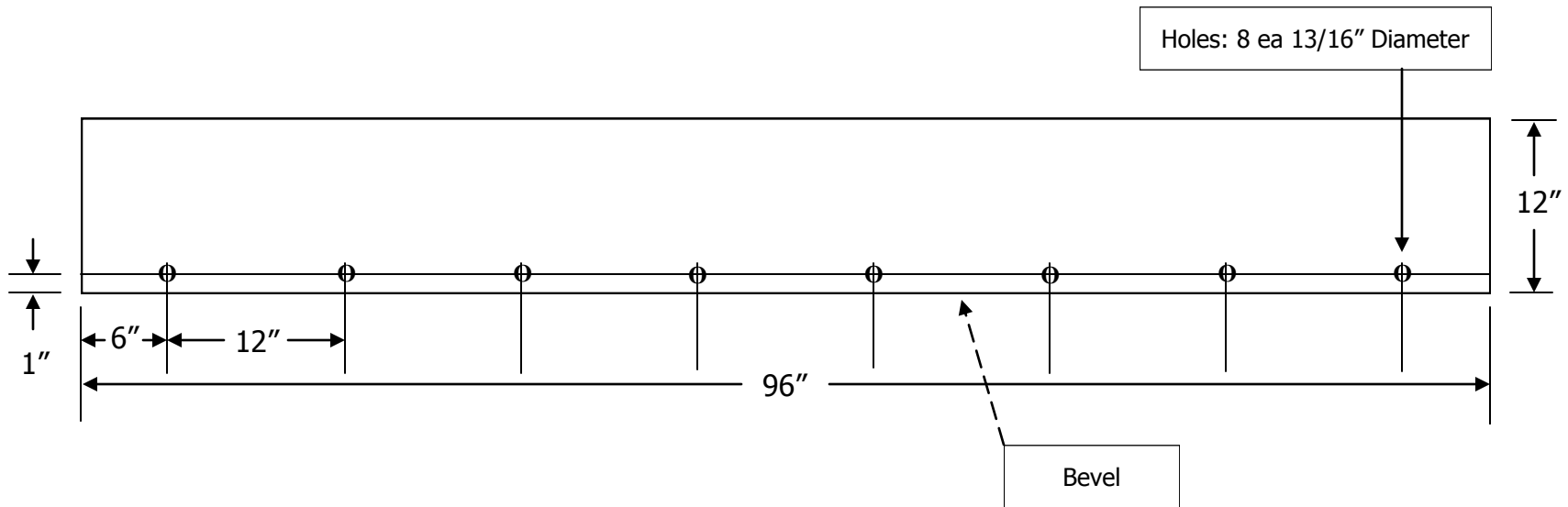




Approach Plate - Model 129C



Dimensions: .25" x 12" x 96" ▪ Safety Tread Plate ▪ Flat Plate w/ Bevel

Scale: 1" = 1'