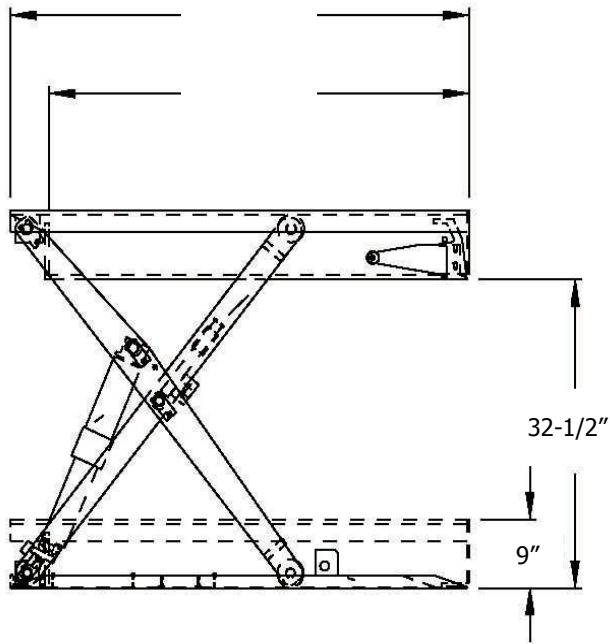


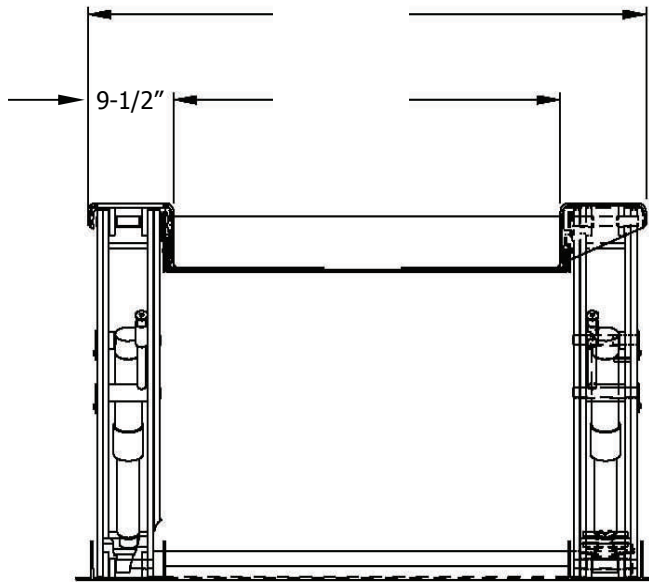


Ground Level Scissor Lift Model GLSL-

Side View



End View



Standard Features / Specifications

Base Frame:
 Lowered Height: 1/2"
 Raised Height: 32-1/2"
 Finish: Industrial Gray Enamel
 Power-pack: 115 VAC / 1ph / 1hp / 60Hz
 External w/ 10' Hose
 Control: Push-button Control w/ 10' Cord

Approval

I, the undersigned, approve this drawing
 As Drawn With Changes

Signed:
 Name:
 Date:

- Options**
(Check all That Apply)
- Special Deck Size:
 - Tilt Top:
 - 3ph Power-pack:
 - Guarded Foot Control:
 - Up Limit Switch
 - Bellows Curtains, 2 Sides:
 - Wall Mount Bracket for Motor:
 - Additional Hose:
 - Additional Cord:
 - Other:

Select Desired Model	Model Number	Capacity (lbs.)	Usable Deck (W" x L")	Overall Deck (W" x L")	Up Speed (Sec.)	Shipping Weight
	GLSL-8	2,000	44" x 48"	63" x 54"	20	490 lbs.
	GLSL-10	4,000	44" x 48"	63" x 54"	30	650 lbs.
	GLSL-12	2,000	48" x 48"	67" x 54"	20	540 lbs.
	GLSL-14	4,000	48" x 48"	67" x 54"	30	700 lbs.

Job:			NTS (Drawing Not to Scale)			
Model:						Aaron-Bradley Co., Inc. 800-394-5944 P.O. Box 1028 - Franklin, TN 37065-1028
Notes:	CHG	DATE	BY	APPROV	Title Outline Drawing—GLSL	
	For Internal Use Only				Drawn wsr	Checked nhj
					Approved nhj	Date 080314
						DWG No GLSL