

# ABC DOCKS



## Aaron-Bradley™ HS200 High Speed Door



- **High Speed** ... Available speeds up to 100"/sec.
- **Door Curtain Material** ... Weather, chemical and puncture resistant fabric with a layer of woven polyester monofilament PVC. Available colors: Orange (as shown), Blue and Black.
- **Virtually Indestructible** ... The break away bottom bar releases easily from the side guides when impacted without damaging the door or guides.
- **Zero Downtime** ... Upon impact, the bottom bar is easily reset in seconds, allowing operation to continue without interruption.
- **Minimal Maintenance** ... Designed with fewer moving parts, the HS200 provides worry free access and less operating cost than competitive models.
- **Energy Conservation** ... Superb resiliency and flexibility at temperatures ranging from  $-5^{\circ}\text{F}$  to  $+140^{\circ}\text{F}$ . The airtight double-brush side guide seal is ideal where heat loss or gain is a concern.

### Standard Features - See Back for Options

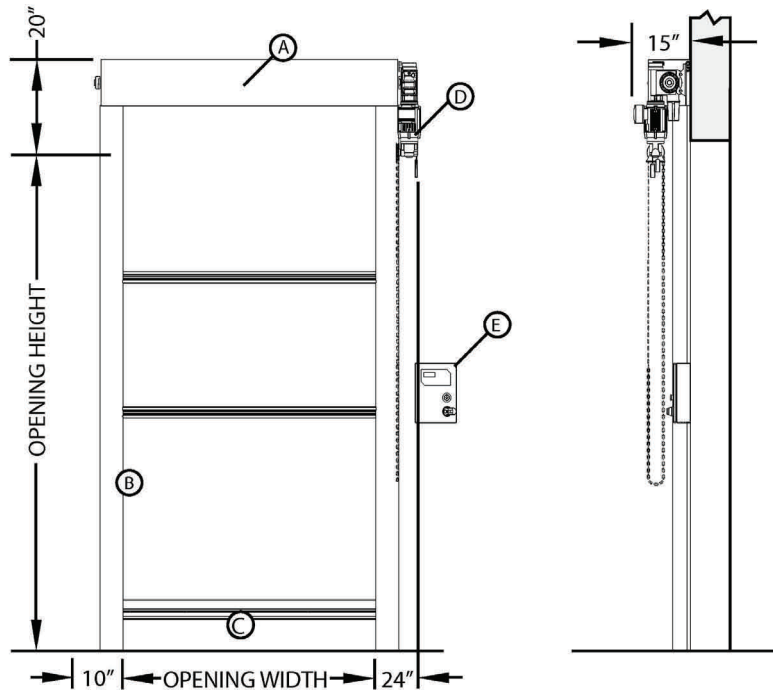
- Open / Close Speed: 36" - 18" / sec.
- Bottom Bar Reset: Easy, Semi-Automatic, Hand Reset
- Vision Panel: Full Width, Clear, 36" High
- Door Sizes: Up to 12' x 12' Standard
- Fabric: 42oz PVC w/ Woven Polyester Monofilament Reinforcement
- Side Guides: 4" x 5" Powder-Coated Steel Tubing
- Control Panel: NEMA 4 w/ Frequency Drive (Soft-Start / Soft-Stop)
- Input Voltage: 240-480-575v/3ph
- Motor: As Required, (size / speed), 2hp Standard
- Safety Edge: Air Wave
- Limit Adjustments: Control Panel / Encoder
- Photocell, 1 each: Reflective
- Hood: Drum Style
- Weather Seals: Air Tight Double Side Seals & Single Lintel Seal

**Specializing in Dock Equipment, Scissor Tables & High Speed Doors**

# ABC DOCKS



## Aaron-Bradley™ HS200 High Speed Door



A Barrel & Curtain assembly  
B Side guides  
C Break Away Bottom Bar

D Safedrive Operator  
E Safedrive Control Panel

NOTES: 1) DRAWING NOT TO SCALE  
2) RIGHT HAND DRIVE SHOWN  
LEFT HAND DRIVE OPPOSITE



Safedrive Digital Control Station

- The digital read-out provides diagnostics and the ability to set limits from the floor.
- Accommodates 'Plug-in' type Loop Detectors and Photo-cells.
- Soft Start and Stop for extended operator and door lifecycle.
- Door speed can be adjusted from the floor with no sprockets to change.
- Features such as 'Interlocks' and 'Time-delays' are pre-wired and adjustable. Call for additional details.

### Available Options

- Floor Loop Detectors
- Induction Floor Loops
- Pull Cords
- Motion Detectors
- Additional Photocells
- Radio Control System
- Operator Cover
- Larger Door Sizes
- Faster Operating Speeds
- Cooler / Refrigerated Applications
- Stainless-steel components (specify)
- Double Lintel Weather Seal
- Audible / Visual Alarm

**ABC Docks, LLC**  
P.O. Box 1028  
Franklin, TN 37065-1028  
Ph) 800-394-5944 / 615-807-1141  
Fax) 615-807-1752

**Distributed By:**

**Specializing in Dock Equipment, Scissor Tables & High Speed Doors**