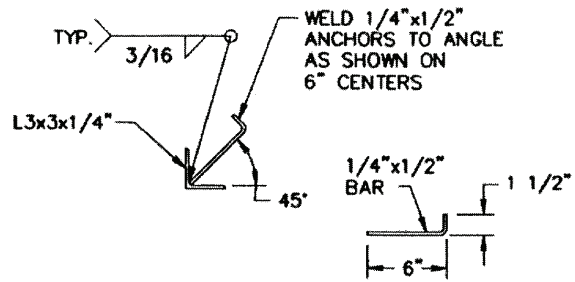
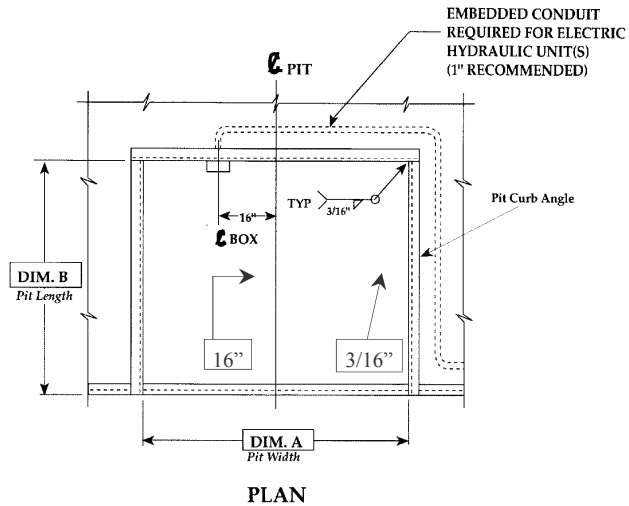




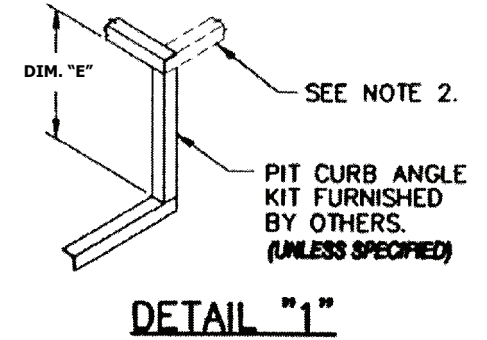
# Pit Detail: Hydraulic Leveler

P.O. Box 1028 • Franklin, TN 37065-1028 • 800-394-5944 • 615-807-1141 • Fax: 615-807-1752  
www.aaronbradley.com

# ABC DOCKS, LLC

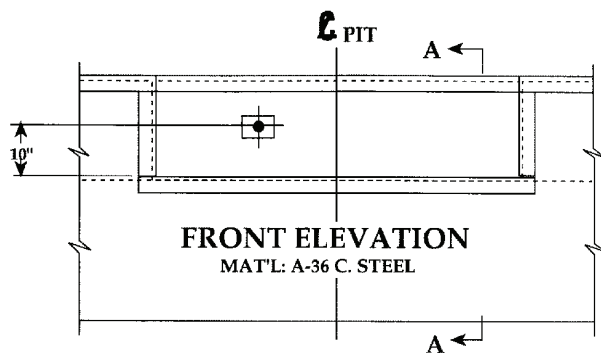
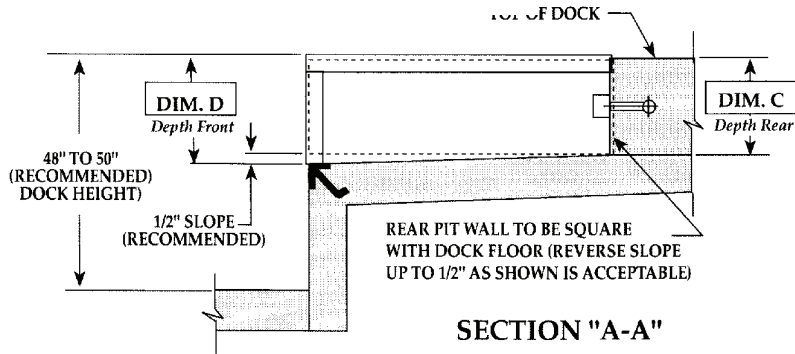


**CURB ANGLE DETAIL**  
KIT FURNISHED BY OTHERS  
(UNLESS SPECIFIED)



**Notes:**

- Pit Curb Angle: 3" x 3" X 1/4" • A-36 Carbon Steel
- Angle 3" x3" x 1/4" x 20" Minimum Length or Run Continuous Pit to Pit (Supplied by Others)



VARIABLE DIMENSIONS		JOB:					
Enter Model Number and Circle Applicable Dimensions on Chart Below							
Model No.	Size W x L	"A"	"B"	Frame Depth	"C"	"D"	"E"
	6' x 6'	74"	63"	19"	19-1/2"	20"	17"
	6' 6" x 6'	80"	63"	19"	19-1/2"	20"	17"
	6' x 8'	74"	87"	19"	19-1/2"	20"	17"
	6' 6" x 8'	80"	87"	19"	19-1/2"	20"	17"
	6' x 10'	74"	111"	23"	23-1/2"	24"	21"
	6' 6" x 10'	80"	111"	23"	23-1/2"	24"	21"
	7' x 6'	85"	63"	19"	19-1/2"	20"	17"
	7' x 8'	85"	87"	19"	19-1/2"	20"	17"
	7' x 10'	85"	111"	23"	23-1/2"	24"	21"

Not To Scale

Drawing Number HYD19230801 Rev 1